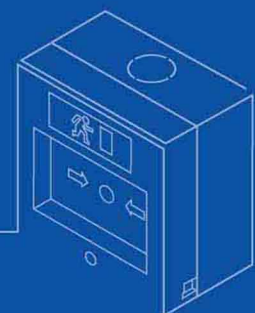


EBELCO®

QUALITY • SECURITY • RELIABILITY



EMERGENCY DOOR RELEASE



EMERGENCY DOOR RELEASE

Model : E-108

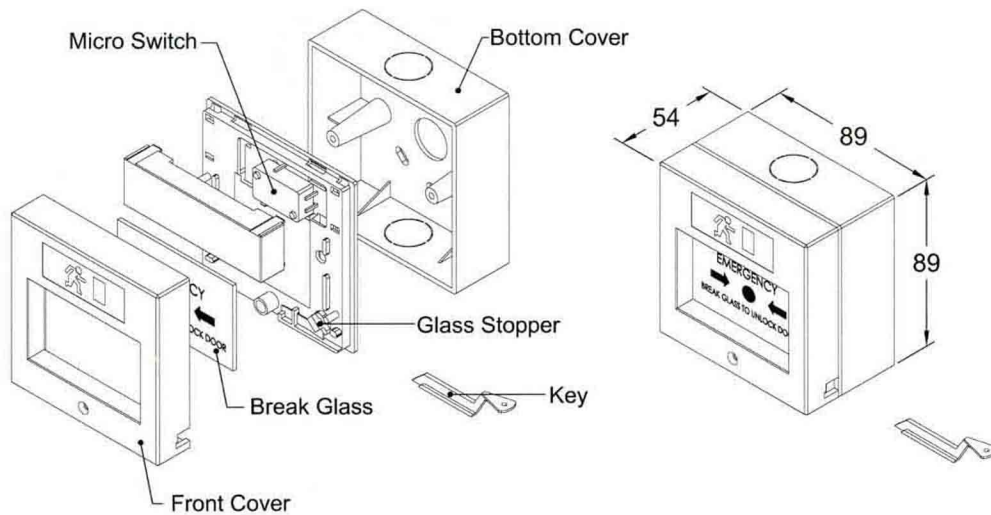


Benefits :

- The micro switch used ensures absolute flawless function of the circuitry.
- Come with double terminal wire connectors for independent input and output connectors. This facilitates installations when used in looping.
- A test key is provided for instant test operation.

Specification :

Size	89 x 89 x 54mm
Current Rating	12/24VDC, 10A 48VDC, 3A
Net Weight	145gm
Colour Available	Deep Green, White, Red & Yellow
Connections	Terminal - Max 2.0mm ² Cable



Description :

The Ebelco Emergency Door Release is specially designed for use in fire detection systems with central control monitor. It can be used for open or closed circuit and when the glass is pressed hard, the circuit closes instantly when the glass breaks.

This model is moulded with the highest engineering precision. The plastic material is noted to be of high resistance to heat and with good impact strength.

To ensure a long lasting resistance to corrosion, the metal parts are made from brass and phosphor bronze.